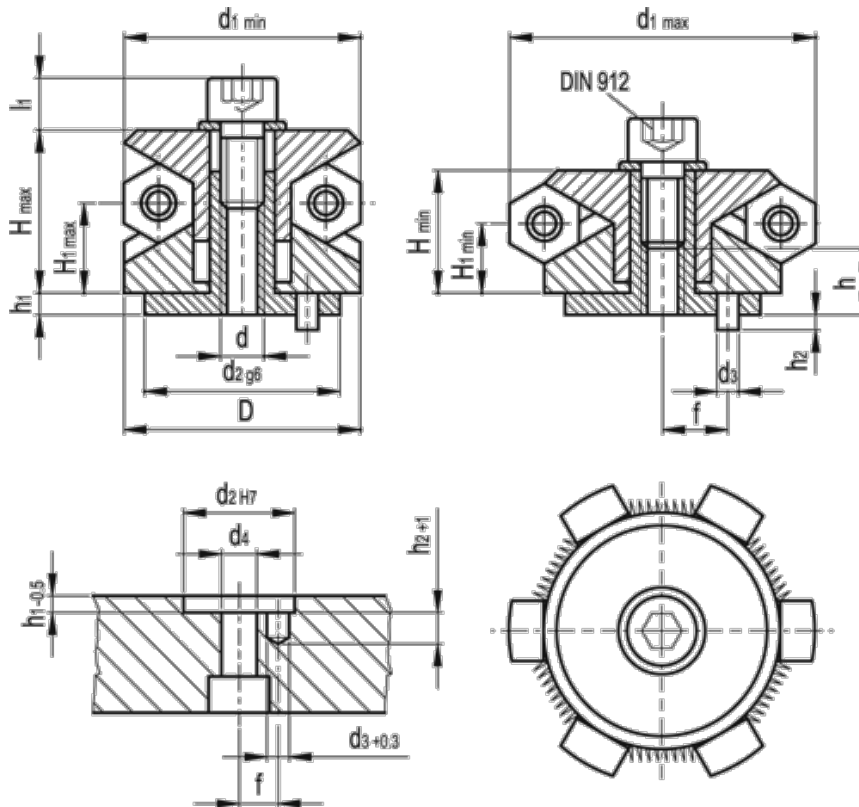


Article number: 20653014

Description: E+G Centring bore clamp GN 411.2-14.5-S

## Measures



|                           |                |                 |
|---------------------------|----------------|-----------------|
| Clamping force (kN) = 3.5 | d4 = 4.3       | H min = 9.8     |
| Clamping points = 3       | f +/-0.1 = 4.5 | l1 = 5.5        |
| D = 14.5                  | h1 = 2.5       | Weight (g) = 20 |
| d = M4                    | H1 max = 7.1   |                 |
| d1 max = 18.5             | H1 min = 5.9   |                 |
| d1 min = 14.5             | h2 = 3.5       |                 |
| d2 g6/H7 = 12             | H max = 12.1   |                 |
| d3 = 2                    | h min = 5      |                 |